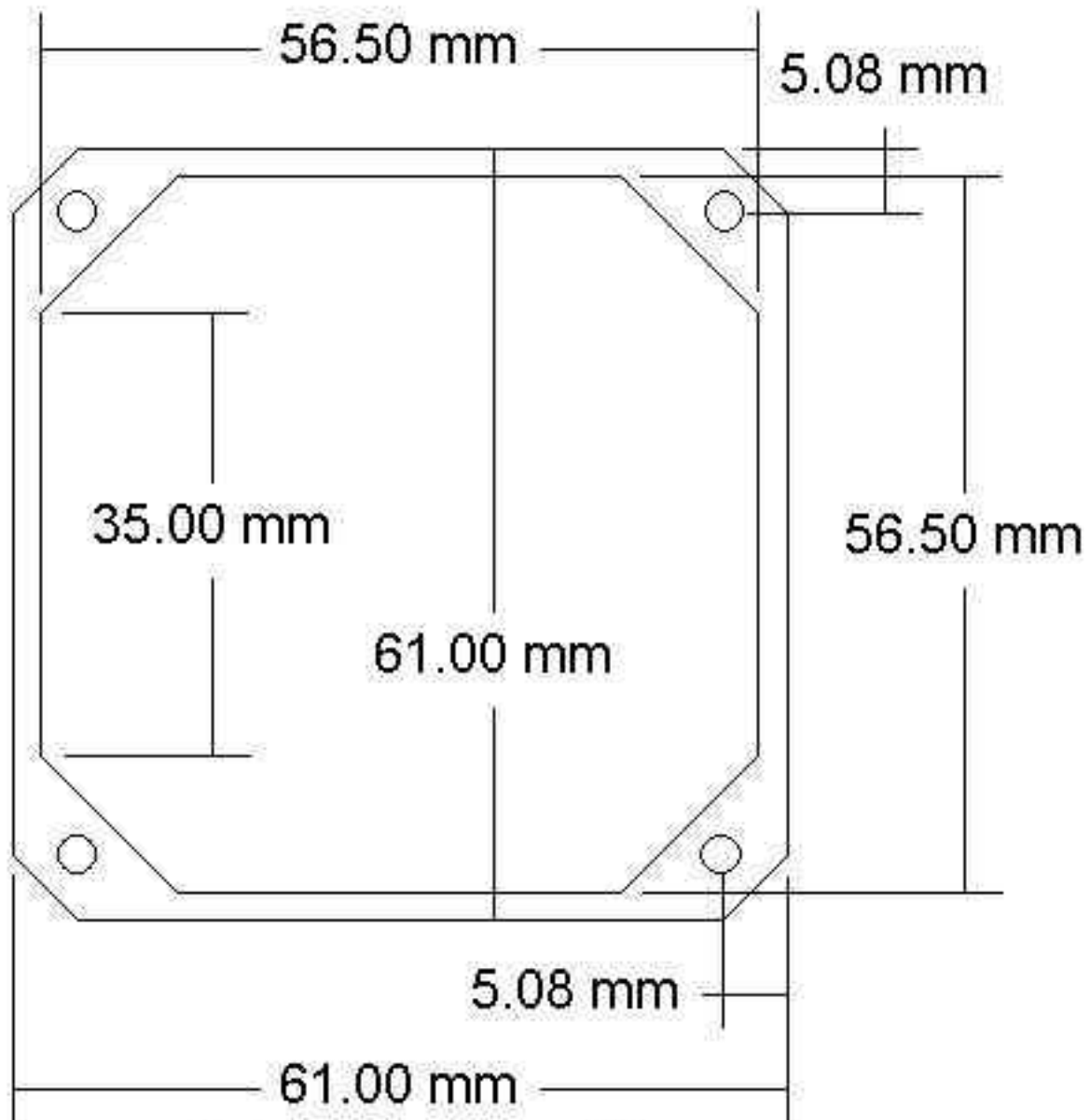


Hole template drawing for
Stratomaster Smart Single 2.25" range
Drawing shows outside dimensions
of front panel, octagonal panel cutout
and location of mounting holes.



Hole size: 3mm Ø.

Suggested bolt size, 2.5-3.0 mm.